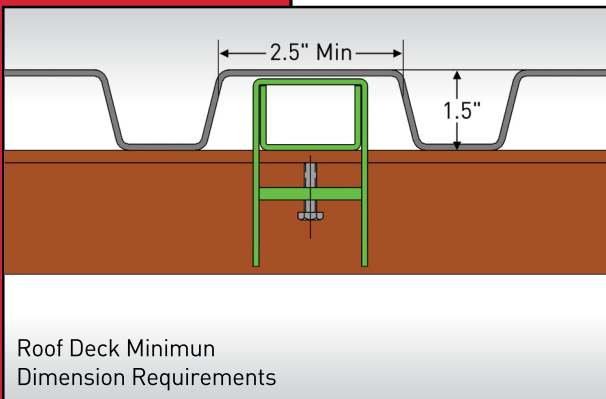
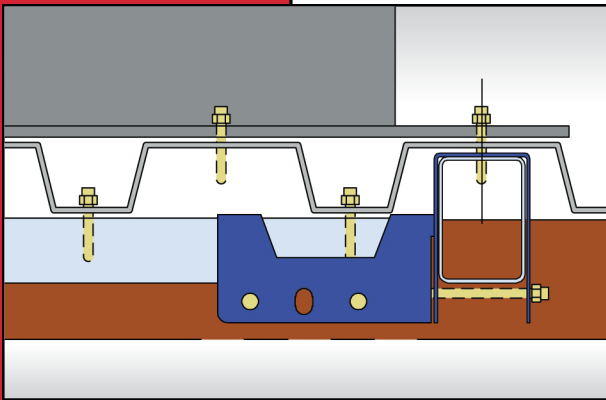
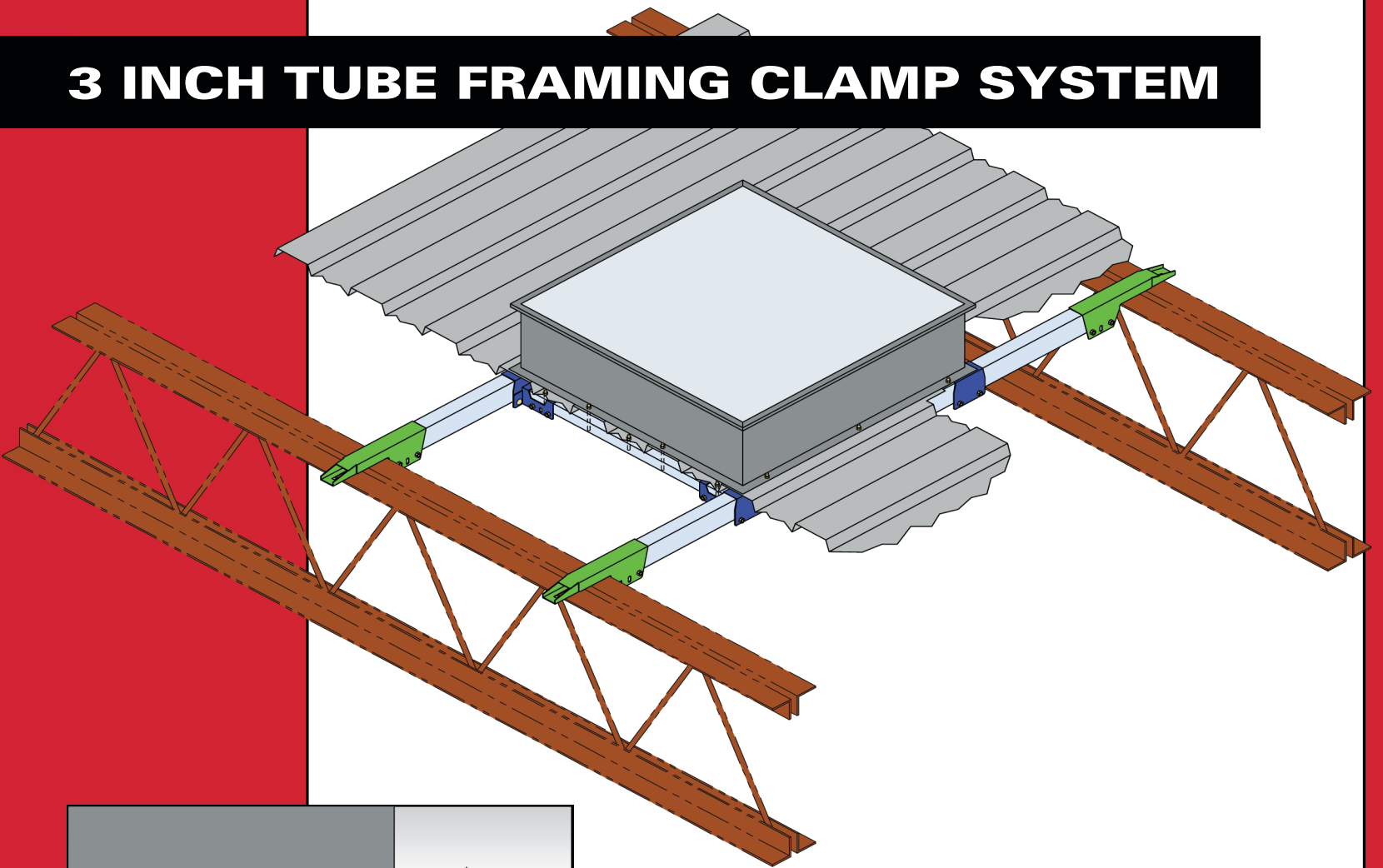


3 INCH TUBE FRAMING CLAMP SYSTEM

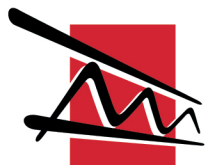


Roof Deck Minimum
Dimension Requirements

A SIMPLE, SAFE & FAST METHOD FOR PROVIDING ALL THE SUPPORT NEEDED FOR ROOF ACCESSORIES

- No Welding Or Drilling On The Structure
- One Person Installs In 90 Min Or Less
- Installs With Roof Deck In Place
- Reduces Cost & Shortens Schedule

The 3 Inch Tube Framing Clamp design allows the Main Tube support to be installed right at the top of the roof deck flutes. Each End Clamp is rated for 250 lbs, giving a complete system load rating of up to 1,000 lbs in uplift or download conditions. The 3 Inch Tube Framing Clamp System is the support of choice for all skylight, exhaust fan, roof hatch, and other light duty roof penetrations.



Meticulously Engineered. Rigorously Tested.

CHICAGO CLAMP CO

www.chicagoclampcompany.com