



36 Raglin Place
Cambridge, Ontario
Canada N1R 7J2
1-888-222-5968

TITLE

9" X 4" (NOMINAL)
RUBBER SUPPORT BLOCK

CLIENT:

DWG No.:

RBC0072-B

DWN.: RTW

DATE: 6/22/12

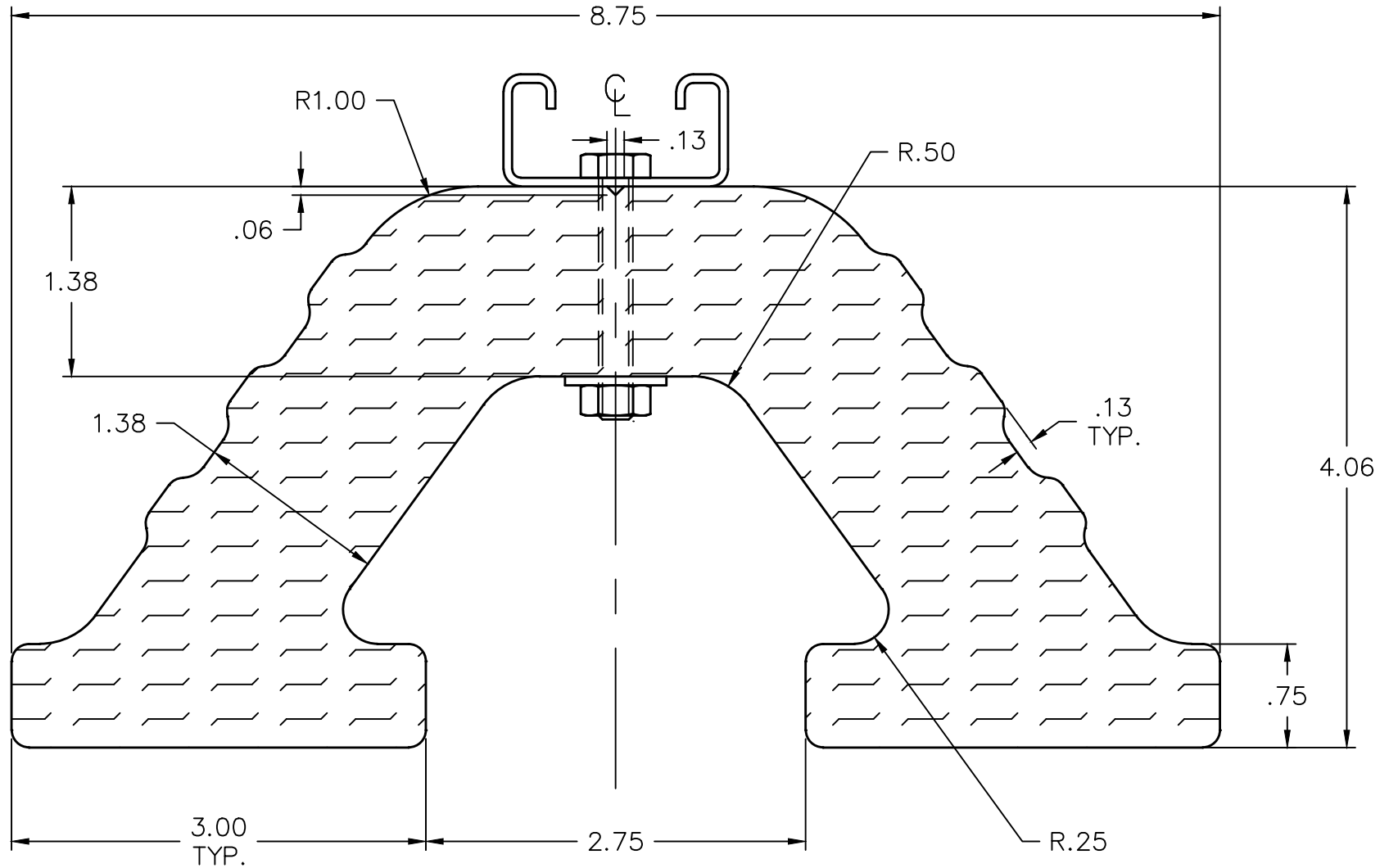
CHK.:

DATE:

SCALE: NTS

PART #:

ME-143



DIMENSIONS ARE SYMMETRICAL ABOUT CENTER LINE.

This drawing is loaned with the expressed agreement that the drawing and information therein contained are the property of PERFORMANCE POLYMERS INC. and will not be reproduced, copied, or otherwise disposed of, directly or indirectly, and will not be used in whole or in part to assist in making or to furnish any information for the making of drawings, prints, or other reproductions thereof or for the making of apparatus or parts thereof, except upon written permission of PERFORMANCE POLYMERS INC. first obtained and specific as to each case. The acceptance of this drawing will be construed as an acceptance of the foregoing agreement.